



BASE COVER ZIP



ASSEMBLY INSTRUCTIONS

DUX, DUXIANA and DUX Pascal-systems are registered
trademark owed by Dux Design AB 2012.
Printed 2021.02.01

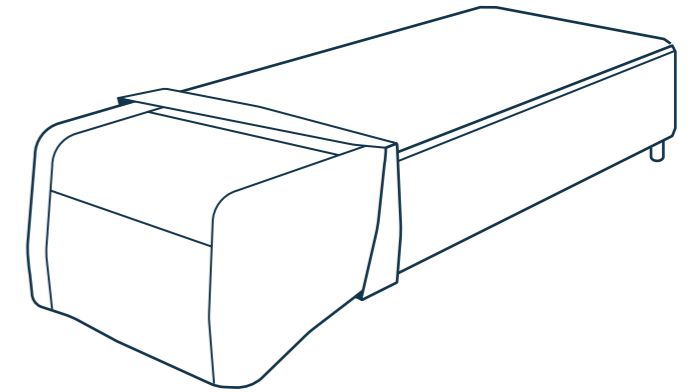
dux.com



ASSEMBLING

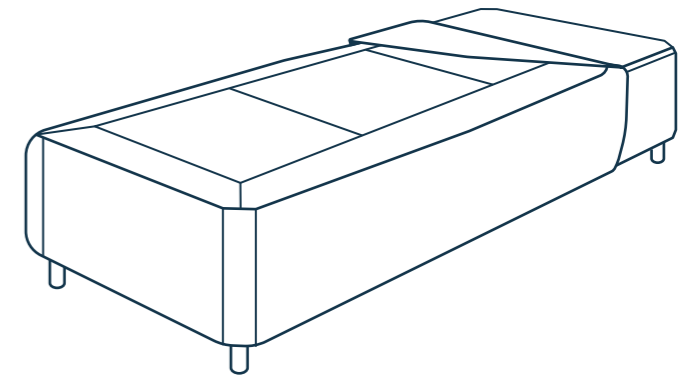
I. PULL

Start by pulling on the cover at the foot of the bed.



II. STRETCH

Stretch the cover, check that the seams fit over the corner.



III. FASTEN

Close the zipper at the head of the bed and fasten the elastic straps under the bed.

